



WT-G-RLED5510K 55" 10Pts UHD Touch LED Monitor

This 55-inch touch monitor is integrated with Infrared touch technology supporting 10 simultaneous touch points, to provide smooth response from the touch display. The device is plug and play with Windows 7 and later OS and with multi-touch applications. The Touch display helps to enhance making presentations with software supporting annotation, white boarding and many other touch applications. The display also supports UHD resolution to provide with crisp 4K images and content. The built in Android player makes the menu selection and working with the display easy and user friendly. The touch display also supports audio playback thru the built-in speakers. The touch displays also have toughed glass on the touch surface to make the touch movement smooth and protects the LCD behind.

Key Features

- Up to 10pts touch
- 4K/60fps resolution
- Narrow bezel design
- Plug & Play upwards of Win7
- Built-in OPS computer slot
- Multi-USB ports for touch connections
- Ambient light detection
- Wall mount bracket included

ideate . create . collaborate

Display Specifications

Screen Size (Diag.)	55"
Active Area(mm)	1212(H) x 682(V)
Resolution	3840(H) x 2160(V)
Pixel Pitch(mm)	0.315 x 0.315
Back Light	Direct type LED
Aspect Ratio	16:9
Contrast Ratio	1200:1
Colors	1.07 billion colors
Brightness	350cd/m ²
Viewing Angle	178°(H) / 178°(V)
Screen Surface	4mm Mohs7 anti-glare glass

Touch System

Technology	Infrared
HID Support	Yes
Touch Supported	10 points touch
Writing Tools	Pen or finger
Response Time	7ms
Cursor Speed	125 points/sec
Precision	1mm

Connectivity

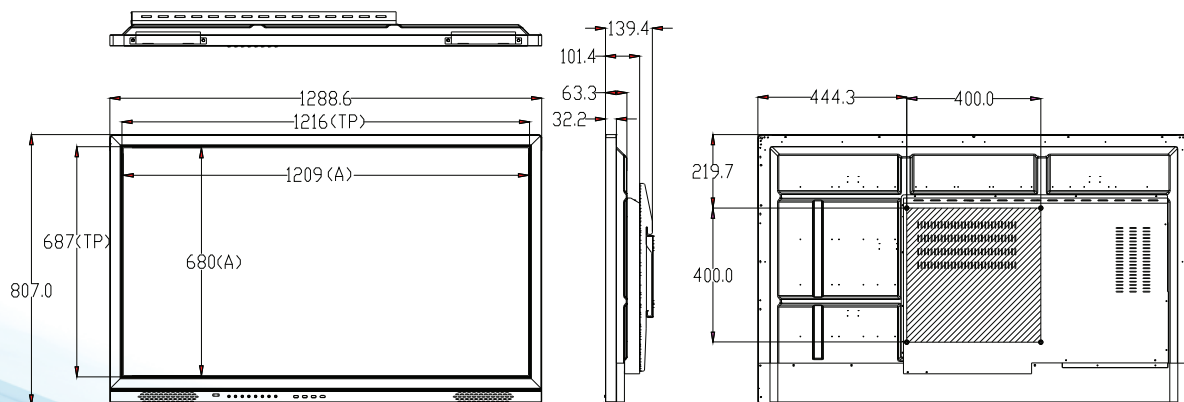
Front Side	HDMI IN 1-line, USB for PC 2-line; USB for touch 1-line
Rear Side	RS232 1-line, MIC IN 1-line, SD IN 1-line; USB 2.0 Media 2-line, HDMI IN 1 line; SPDIF OUT 1-line, AV IN 1-line; AV OUT 1- line, EARPHONE 1-line; VGA IN 1-line, AUDIO IN 1-line; VAG OUT 1-line, RJ45 LAN IN 1 line; RJ45 OUT 1-line, YPBPR 1-line

HDCP 2.2 support via HDMI 2.0

CEC support

Output(Speaker) 15W x 2

Dimensions



Operating System

Android Version	5.1
CPU	Cortex A53*2 1.3GHz
GPU	Mali450MP4
RAM	1G DDR3
ROM	4GB
Compliant	Windows; Mac; Linux

Physical Specifications

Net Weight (kg±2)	34.5
Gross Weight (kg±2)	44.5
Dimension(WxDxH) mm	1292 x 103 x 820
VESA(mm)	400 x 400

Electrical

Input Voltage	100-240V AC
Power Requirement	Yes
Power Consumption(Standby)	<0.5W
Power Consumption	Maximum <180W Eco <75W

Accessories

Software and Manual CD, IWB Pen without ink 2 pcs;

Telescopic pointers 1 pc, Remote Control, 1.5m Power cable;

1.5m HDMI Cable, 3m USB Extension Cable, 3.5mm Audio Cable;

1.5m Touch Cable, 1.5m VGA Cable, wall bracket